



Dyna-Lift™ Davit System

Dyna-Lift™ Davit Systems are an ideal anchorage solution for confined space entry, exit, rescue, and suspension work. The permanent base is available in numerous styles and offers a secure installation point, while the lightweight aluminum mast was designed to be assembled and disassembled quickly for ease of transport from site to site.



Our Davit Systems consist of a base anchored to the structure, with a high-strength aluminum mast and boom. They allow the worker to be safely hoisted up and down, while suspended from a pivotable arm.

FEATURES:

- Permanent solution with multiple base options
- Portable mast and boom constructed from lightweight, corrosion resistant aluminum
- 24" and 48" adjustable boom lengths available
- 3,600 lb rating and allows for two devices
- Integrated 3,600 lb (16 kN) mast anchorage point for fall arrest
- Fall arrest rated in all davit offset boom positions
- Compatible with Dynamic® winch/3-way bracket
- Configure with front and/or back mounted winch/SRL
- Detent pin style adjustment
- Complies with current OSHA requirements

STYLE NUMBER	DESCRIPTION	COMPOSITION	LENGTH
FDDAVITBM24	Davit Boom	Aluminum	24 inches
FDDAVITMST24	Davit Mast	Aluminum	24 inches
FDDAVITBM48	Davit Boom	Aluminum	48 inches
FDDAVITMST48	Davit Mast	Aluminum	48 inches
FDDAVIT24	Davit Boom & Mast Complete	Aluminum	24 inches
FDDAVIT48	Davit Boom & Mast Complete	Aluminum	48 inches

FDDAVIT24
with base
FDDAVITFLRBS

FDDAVIT48
with base
FDDAVITFLRBS

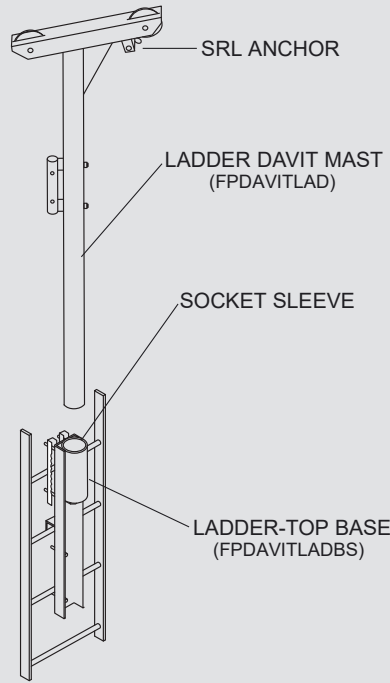


Ladder Davit

Ladder mounted davits are ideal for workers who need increased mobility while climbing a fixed ladder. They can be added directly.

FEATURES:

- Portable mast and boom constructed from lightweight, corrosion resistant aluminum
- 3,600 lb rating with integrated 3,600 lb (16 kN) mast anchorage point for fall arrest
- 12" boom length
- Easily installs in minutes using common tools
- Designed for most ladder configurations
- Compatible with Dynamic® winch/3-way bracket



STYLE NUMBER	DESCRIPTION	COMPOSITION	LENGTH
FPDAVITLAD	Ladder Davit	Aluminum	12 inches
FPDAVITLADBS	Ladder Mount Assembly	Galvanized Steel	-

Davit Bases & Accessories



CONCRETE SLEEVE BASE

- Designed for slip-in installation into core hole in concrete or in an existing steel structure
- Zinc coated steel construction

FPDAVITCON



CONCRETE SLEEVE BASE WITH TOP PLATE

- Flush mount design eliminates trip hazards when not in use
- Zinc coated steel construction

FPDAVITCONT



FLOOR MOUNTED BASE

- Designed for installation on horizontal structure
- Ideal for work areas where a base can be permanently installed to an existing structure
- Zinc coated steel construction

FPDAVITFLRBS



WALL MOUNTED BASE

- Compact design mounts to vertical structures
- Ideal for work areas where a base can be permanently installed to an existing structure
- Zinc coated steel construction

FPDAVITWLLBS



BASE CAP

- Used with permanent mounted sleeves when installed in high traffic or sewer service locations
- Aluminum construction

FPDAVITBSCAP



SPLIT PULLEY

- To route cable from device mounted on the mounting brackets
- Aluminum construction

FPSPLTPLLY



PIP Canada Ltd. | BRINGING THE BEST OF THE WORLD TO YOU*

2477 Michelin St | Laval, QC H7L 5B9 | 877-446-3278 | orders@pipcanada.ca | www.pipcanada.ca